

**MATERIALS**

- HOUSING : LCP, BLACK.
- TERMINAL : COPPER ALLOY (T=0.20mm)  
PLATING: SELECTIVE GOLD OR Pd/Ni + GOLD PLATED ON CONTACT AREA, TIN PLATED ON SOLDER TAILS, NICKEL UNDER PLATED OVERALL
- SHELL : STAINLESS STEEL (T=0.30mm)  
PLATING: NICKEL PLATED OVERALL.
- COVER: LCP, BLACK.
- SPRING SHELL: STAINLESS STEEL (T=0.15mm).

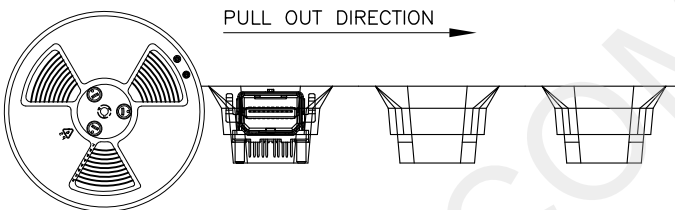
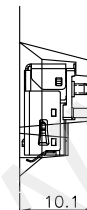
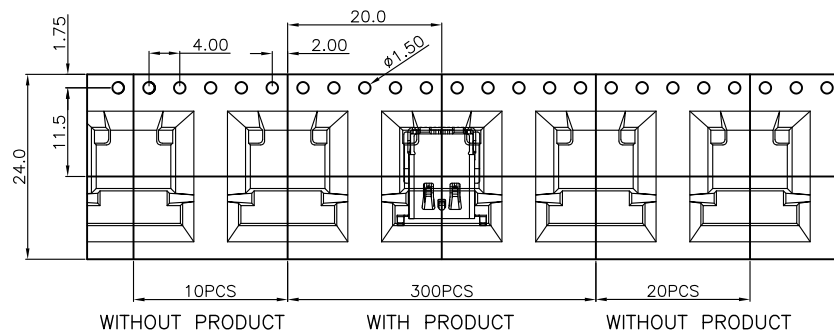
**SPECIFICATION**

- CURRENT RATING : 0.5A Min., 3.3V 3A FOR PIN#20(POWER PIN),  
Refer to the attached material specification test conditions, the PIN#20 can meet 3A temperature rise is less than 30 degrees C.
- CONTACT RESISTANCE : 30mΩ MAX.
- DIELECTRIC WITHSTANDING VOLTAGE :  
500V AC R.M.S. FOR ONE MINUTE.
- INSULATION RESISTANCE : 100MΩ MIN AT 500V DC.
- OPERATING TEMPERATURE : -25°C TO +85°C.
- DURABILITY : 10000 CYCLES.
- MATING FORCE : 4.5Kgf MAX.
- UNMATING FORCE : 1.0Kgf~4.0Kgf.



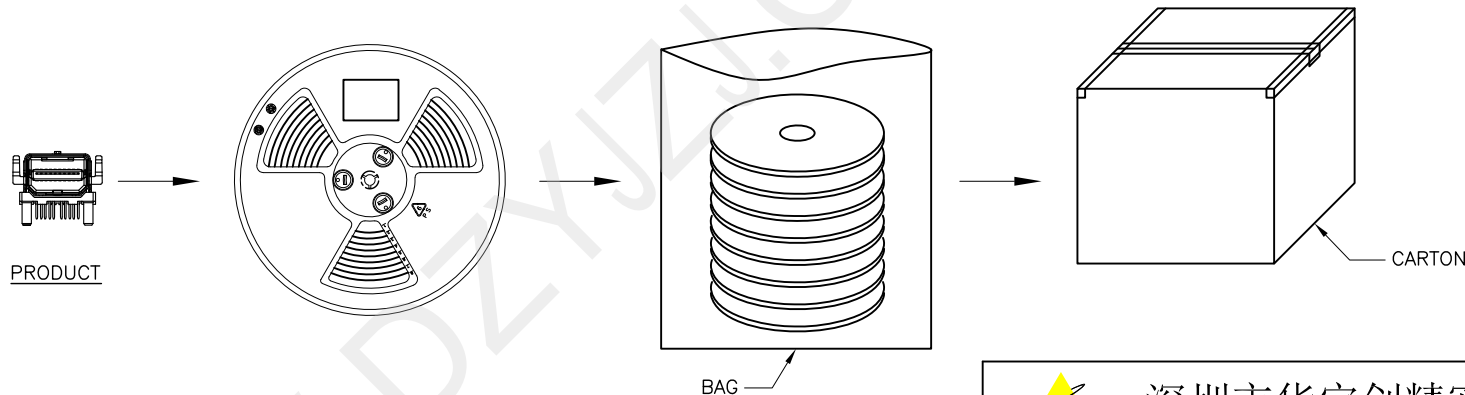
深圳市华宇创精密电子有限公司


<b>TOLERANCE:</b> X.X ±0.30 X.XX ±0.25 X.XXX ±0.15 X' ±2' X.X' ±0.5'	<b>DRAWN BY :</b> 陈一鸣	<b>DATE :</b> 2014-02-23	<b>PART NAME:</b> MINI DP SMT式 带弹片母座(中心高3.8)
	<b>CHECKED BY:</b> 马跃	<b>DATE :</b> 2014-02-23	<b>PART NO.</b> HVC30-MDP20-038
 <b>UNIT: mm [inch]</b> <b>SCALE:1:1 SIZE: A4</b>	<b>APPROVED BY:</b> 邱敏	<b>DATE :</b> 2014-02-23	<b>PART NO.</b> HVC30-MDP20-038
			<b>MOLD NO.</b> <b>DRAW NO:</b> HVC-2603301430 <b>SHEET NO.</b> 1 OF 1



**PACKAGE**

1. SIZE :  
 REEL : DIA.=330mm  
 CORTON : 350x350x340mm (LxWxH)
2. QUANTITY :  
 300 PCS/REEL  
 11 REEL/CARTON = 3300PCS



 <b>深圳市华宇创精密电子有限公司</b>			
TOLERANCE: X.X ±0.30 X.XX ±0.25 X.XXX ±0.15 X.' ±2'    X.X' ±0.5'	DRAWN BY : 陈一鸣	DATE : 2014-02-23	PART NAME: 包装图
	CHECKED BY: 马跃	DATE : 2014-02-23	PART NO. MOLD NO.
UNIT: mm [inch] SCALE:1:1    SIZE: A4	APPROVED BY: 邱敏	DATE : 2014-02-23	DRAW NO: SHEET NO. 1 OF 1